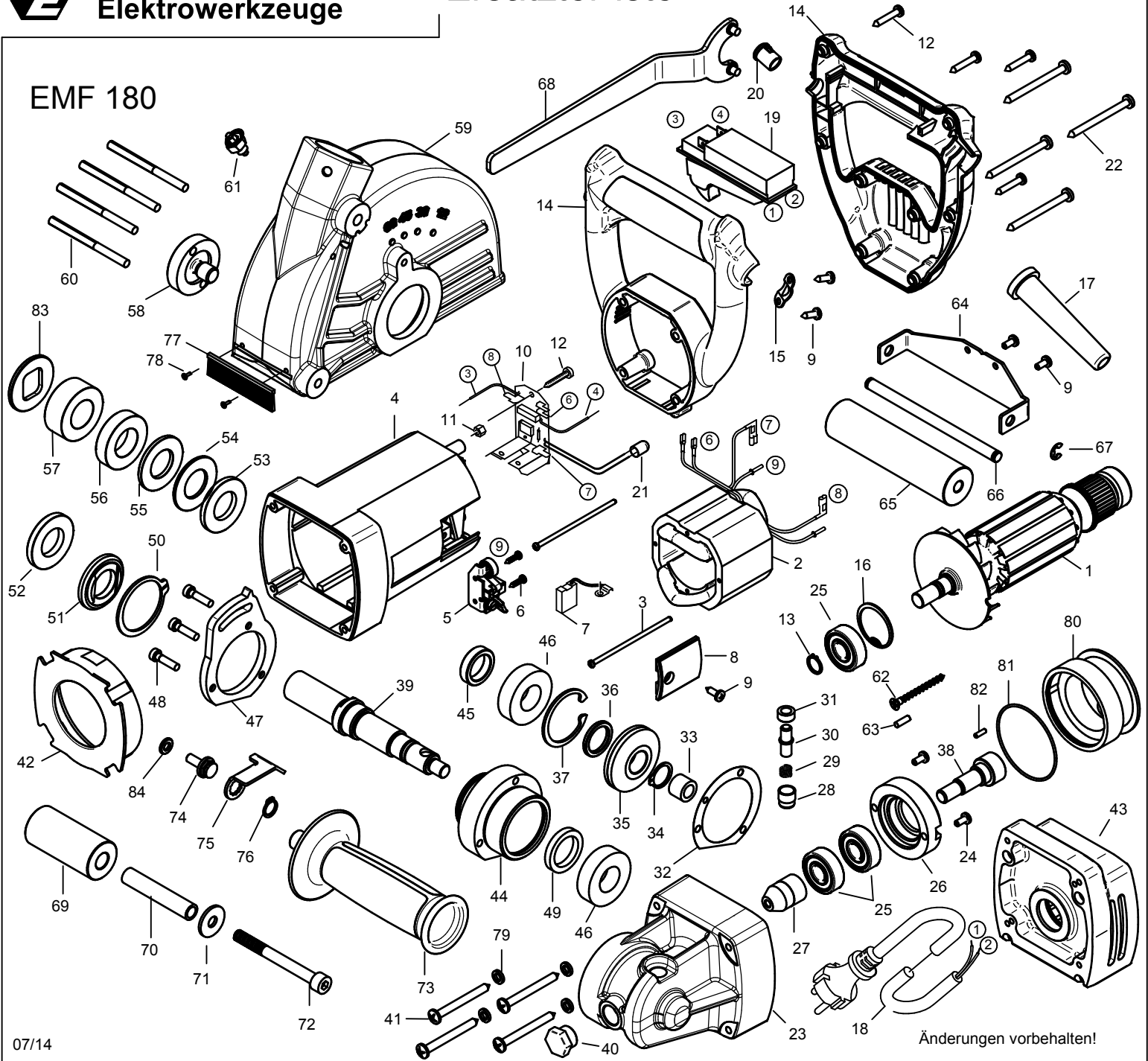




Ersatzteilliste

EMF 180



EMF 180 - 230 V

06721, 06724

| Nr. | Bezeichnung | Bestellnr. | Stk | Nr. | Bezeichnung | Bestellnr. | Stk |
|-----|-------------------------------|------------|-----|-----|------------------------------|------------|-----|
| 1 | Läufer, kpl. | 76721100 | 1 | 43 | Getriebelagerschild | 76721610 | 1 |
| 2 | Polring, kpl. | 7363N150 | 1 | 44 | Getriebeaufsatz | 76711410 | 1 |
| 3 | Spezialschraube Meplast 3x78 | 80201234 | 2 | 45 | Distanzring 1 | 76711415 | 1 |
| 4 | Motorgehäuse | 80900069 | 1 | 46 | Rillenkugellager 6004 2RS | 80410051 | 2 |
| 5 | Taschenbürstenhalter, kpl. | 80201199 | 2 | 47 | Lochscheibe | 76711405 | 1 |
| 6 | Blechschrabe HC 2,9x13 | 80201252 | 4 | 48 | Innensechskantschraube M5x30 | 80201616 | 3 |
| 7 | Kohlebürste 6,3x16x20L82F10 | 80700044 | 2 | 49 | Wellendichtring 24x36x7 | 83000205 | 1 |
| 8 | Bürstenhalterabdeckung | 80900073 | 2 | 50 | Sicherungsring 42/1,75 | 80201349 | 1 |
| 9 | Blechschrabe HC 4,2x13 | 80201270 | 6 | 51 | Spannflansch | 76711580 | 1 |
| 10 | Leiterplatte, kpl. | 80601155 | 1 | 52 | Ring 4 | 76711587 | 1 |
| 11 | Kunststoffmutter M5 | 80201295 | 2 | 53 | Ring 3 | 76711586 | 1 |
| 12 | Blechschrabe HC 4,2x25 | 80201273 | 6 | 54 | Ring 1 | 76711584 | 1 |
| 13 | Sicherungsring 12/1 | 80201321 | 1 | 55 | Ring 2 | 76711585 | 1 |
| 14 | Griffhälften | 80900268 | 1 | 56 | Ring 5 | 76711588 | 1 |
| 15 | Zugentlastungsschelle | 85000020 | 1 | 57 | Ring 6 | 76711589 | 1 |
| 16 | Sicherungsring 32/1,2 | 80201351 | 1 | 58 | Spannschraube | 76711583 | 1 |
| 17 | Kabelauführungsmuffe | 83000004 | 1 | 59 | Absaughaube | 76721575 | 1 |
| 18 | Anschlußleitung 2x1,5mm², 5 m | 80600403 | 1 | 60 | Paßkerbstift 4x55 | 80200587 | 4 |
| 19 | Einbauschalter | 80600506 | 1 | 61 | Rastbolzen mit Zugring | 80110101 | 1 |
| 20 | Leuchtdiodenhalter | 80601153 | 1 | 62 | Spanplattenschraube 4,5x60 | 80201425 | 4 |
| 21 | Leuchtdiode | 80601154 | 1 | 63 | Steckerbstift 4x12 | 80200582 | 2 |
| 22 | Blechschrabe HC 4,8x60 | 80201285 | 4 | 64 | Rollenhalterung | 76721578 | 1 |
| 23 | Getriebegehäuse | 76721400 | 1 | 65 | Rolle 1 | 76711574 | 1 |
| 24 | Innensechskantschraube M5x16 | 80201446 | 2 | 66 | Achse | 76711573 | 1 |
| 25 | Rillenkugellager 6201 LUZ | 80410101 | 3 | 67 | Sicherungsscheibe 6 | 80201504 | 2 |
| 26 | Spannring | 76721410 | 1 | 68 | Stirnlochschlüssel | 80430042 | 1 |
| 27 | Kegelritzel | 85000313 | 1 | 69 | Rolle 2 | 76711576 | 1 |
| 28 | Hülse 1 | 75412554 | 1 | 70 | Spannrohr | 76711577 | 1 |
| 29 | Druckfeder 0,7x8,5x9x1,5 | 80200802 | 1 | 71 | U-Scheibe 8,4 | 80201391 | 1 |
| 30 | Bolzen | 75412425 | 1 | 72 | Zylinderschraube M8x80 | 80201222 | 1 |
| 31 | Hülse 2 | 75412555 | 1 | 73 | Handgriff, kpl. | 73320595 | 1 |
| 32 | Getriebedichtung | 82000516 | 1 | 74 | Feststellschraube | 76711407 | 1 |
| 33 | Nadelhülse DL 1012 | 80420116 | 1 | 75 | Klemmhebel | 76711408 | 1 |
| 34 | Sicherungsring 17/1 | 80201323 | 1 | 76 | Sicherungsring 11/1 | 80201320 | 1 |
| 35 | Kegelrad | 85000314 | 1 | 77 | Bürstenleiste | 76711597 | 1 |
| 36 | Distanzring 2 | 76711425 | 1 | 78 | Schraube M4x6 ISO 7380 F | 80201462 | 2 |
| 37 | Sicherungsring 42/1,75 | 80201335 | 1 | 79 | Federring 5 | 80201302 | 4 |
| 38 | Zwischenwelle | 76721500 | 1 | 80 | Fettkammer | 76721625 | 1 |
| 39 | Arbeitsspindel | 76721420 | 1 | 81 | O-Ring 58x1,5 | 83000209 | 1 |
| 40 | Verschlußschraube 3/8" | 85000224 | 1 | 82 | Zylinderstift 3m6x10 | 80200577 | 1 |
| 41 | Linsenschraube M5x45 | 80201231 | 4 | 83 | Druckscheibe | 76721422 | 1 |
| 42 | Luftleitring | 80900284 | 1 | 84 | U-Scheibe 6,4 | 80201375 | 1 |

EMF 180 - 110 V

06722000

| | | | | | | | |
|---|-----------------------------|----------|---|----|----------------------------------|----------|---|
| 1 | Läufer, kpl. | 76722100 | 1 | 10 | Leiterplatte, kpl. | 80601156 | 1 |
| 2 | Polring, kpl. | 76722150 | 1 | 17 | Kabelauführungsmuffe | 83000228 | 1 |
| 7 | Kohlebürste 6,3x16x20L41F13 | 80700040 | 2 | 18 | Anschlußleitung 2x2,5mm², 4h-St. | 76710262 | 1 |

EMF 180 U - 120 V

06725000

| | | | | | | | |
|---|-----------------------------|----------|---|----|-------------------------------------|----------|---|
| 1 | Läufer, kpl. | 76722100 | 1 | 10 | Leiterplatte, kpl. | 80601156 | 1 |
| 2 | Polring, kpl. | 76722150 | 1 | 17 | Kabelauführungsmuffe | 83000228 | 1 |
| 7 | Kohlebürste 6,3x16x20L41F13 | 80700040 | 2 | 18 | Anschlußleitung 2x2,5², amerik. St. | 76716262 | 1 |

EMF 180 - 230 V

06721, 06724

| No. | Description | Order No. | Pcs | No. | Description | Order No. | Pcs |
|-----|---|-----------|-----|-----|-------------------------------|-----------|-----|
| 1 | rotor complete | 76721100 | 1 | 43 | end shield of gearing | 76721610 | 1 |
| 2 | stator complete | 7363N150 | 1 | 44 | frame | 76711410 | 1 |
| 3 | special screw Meplast 3x78 | 80201234 | 2 | 45 | spacer 1 | 76711415 | 1 |
| 4 | motor housing | 80900069 | 1 | 46 | grooved ball bearing 6004 2RS | 80410051 | 2 |
| 5 | brush holder | 80201199 | 2 | 47 | punched disc | 76711405 | 1 |
| 6 | self tapping screw HC 2,9x13 | 80201252 | 4 | 48 | screw M5x30 | 80201616 | 3 |
| 7 | carbon brush 6,3x16x20L82F10 | 80700044 | 2 | 49 | shaft seal ring 24x36x7 | 83000205 | 1 |
| 8 | brush holder cover | 80900073 | 2 | 50 | locking ring 42/1,75 | 80201349 | 1 |
| 9 | self tapping screw HC 4,2x13 | 80201270 | 6 | 51 | flange | 76711580 | 1 |
| 10 | PCB / circuit board | 80601155 | 1 | 52 | ring 4 | 76711587 | 1 |
| 11 | plastic nut M5 | 80201295 | 2 | 53 | ring 3 | 76711586 | 1 |
| 12 | self tapping screw HC 4,2x25 | 80201273 | 6 | 54 | ring 1 | 76711584 | 1 |
| 13 | locking ring 12/1 | 80201321 | 1 | 55 | ring 2 | 76711585 | 1 |
| 14 | handle segment | 80900268 | 1 | 56 | ring 5 | 76711588 | 1 |
| 15 | wire locking flange | 85000020 | 1 | 57 | ring 6 | 76711589 | 1 |
| 16 | locking ring 32x1,2 | 80201351 | 1 | 58 | clamp screw | 76711583 | 1 |
| 17 | cable grommet | 83000004 | 1 | 59 | suction hood | 76721575 | 1 |
| 18 | connecting cable 2x1,5mm ² , 5 m | 80600403 | 1 | 60 | grooved pin 4x55 | 80200587 | 4 |
| 19 | switch | 80600506 | 1 | 61 | snap bolt | 80110101 | 1 |
| 20 | fastener | 80601153 | 1 | 62 | fastener 4,5x60 | 80201425 | 4 |
| 21 | LED | 80601154 | 1 | 63 | notched pin plug 4x12 | 80200582 | 2 |
| 22 | self tapping screw HC 4,8x60 | 80201285 | 4 | 64 | roll mounting | 76721578 | 1 |
| 23 | gearbox housing | 76721400 | 1 | 65 | roller 1 | 76711574 | 1 |
| 24 | allen screw M5x16 | 80201446 | 2 | 66 | axle | 76711573 | 1 |
| 25 | grooved ball bearing 6201 LUZ | 80410101 | 3 | 67 | lock washer 6 | 80201504 | 2 |
| 26 | clamp ring | 76721410 | 1 | 68 | face spanner | 80430042 | 1 |
| 27 | bevel pinion | 85000313 | 1 | 69 | roller 2 | 76711576 | 1 |
| 28 | bush 1 | 75412554 | 1 | 70 | clamp tube | 76711577 | 1 |
| 29 | compression spring 0,7x8,5x9x1,5 | 80200802 | 1 | 71 | washer 8,4 | 80201391 | 1 |
| 30 | bolt | 75412425 | 1 | 72 | screw M8x80 | 80201222 | 1 |
| 31 | bush 2 | 75412555 | 1 | 73 | handle | 73320595 | 1 |
| 32 | gearbox seal | 82000516 | 1 | 74 | locking screw | 76711407 | 1 |
| 33 | needle sleeve DL 1012 | 80420116 | 1 | 75 | clamping lever | 76711408 | 1 |
| 34 | locking ring 17/1 | 80201323 | 1 | 76 | locking ring 11/1 | 80201320 | 1 |
| 35 | bevel gear | 85000314 | 1 | 77 | brush strip | 76711597 | 1 |
| 36 | spacer 2 | 76711425 | 1 | 78 | screw M4x6 ISO 7380 F | 80201462 | 2 |
| 37 | locking ring 42/1,75 | 80201335 | 1 | 79 | lock washer 5 | 80201302 | 4 |
| 38 | intermediate shaft | 76721500 | 1 | 80 | grease compartment | 76721625 | 1 |
| 39 | work spindle | 76721420 | 1 | 81 | o-ring 58x1,5 | 83000209 | 1 |
| 40 | cap screw 3/8" | 85000224 | 1 | 82 | cylinder pin 3m6x10 | 80200577 | 1 |
| 41 | lens head screw M5x45 | 80201231 | 4 | 83 | pressure washer | 76721422 | 1 |
| 42 | air guiding ring | 80900284 | 1 | 84 | disc 6,4 | 80201375 | 1 |

EMF 180 - 110 V

06722000

| | | | | | | | |
|---|------------------------------|----------|---|----|---------------------------|----------|---|
| 1 | rotor complete | 76722100 | 1 | 10 | PCB / circuit board | 80601156 | 1 |
| 2 | stator complete | 76722150 | 1 | 17 | cable grommet | 83000228 | 1 |
| 7 | carbon brush 6,3x16x20L41F13 | 80700040 | 2 | 18 | connecting cable 32 A, 5m | 76710262 | 1 |

EMF 180 U - 120 V

06725000

| | | | | | | | |
|---|------------------------------|----------|---|----|---------------------------|----------|---|
| 1 | rotor complete | 76722100 | 1 | 10 | PCB / circuit board | 80601156 | 1 |
| 2 | stator complete | 76722150 | 1 | 17 | cable grommet | 83000228 | 1 |
| 7 | carbon brush 6,3x16x20L41F13 | 80700040 | 2 | 18 | connecting cable 20 A, 5m | 76716262 | 1 |